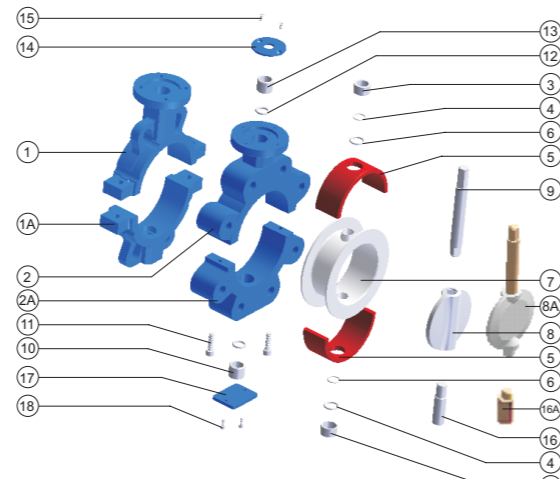


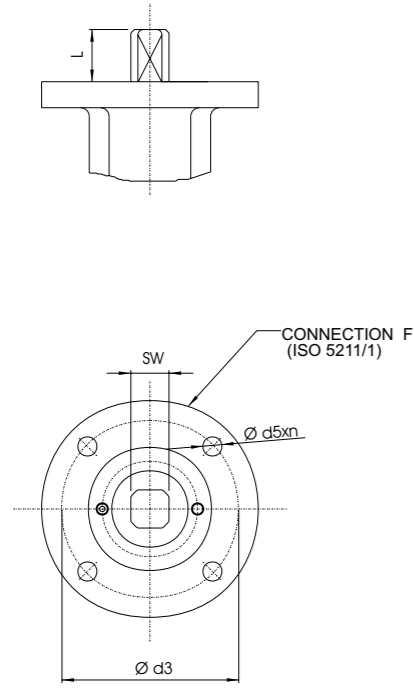
# Type 1320/1321 and Type 1340/1341 Wafer and Lug type PTFE seated butterfly valve

P.NO	PART NAME	MATERIAL
1	Body	GGG 40- 50
1A	Body	GGG 40-50
2	Body	GGG 40-50
2A	Body	GGG 40-50
3	Thrust collar	AISI 316
4	O-Ring	Viton
5	Elastomer insert	Silicone, Viton
6	O-Ring	Viton
7	Seat	PTFE
8	Disc	AISI 316
8A	Disc + Stem	AISI 316 + PTFE
9	Upper stem	AISI 316
10	Bearing	PTFE
11	Bolt	AISI 304
12	O-Ring	Viton
13	Bearing	PTFE
14	Washer	St 37
15	Bolt	AISI 304
16	Lower stem	AISI 316
16A	Lower stem	AISI 316
17	Lower cover	St 37
18	Bolt	AISI 304

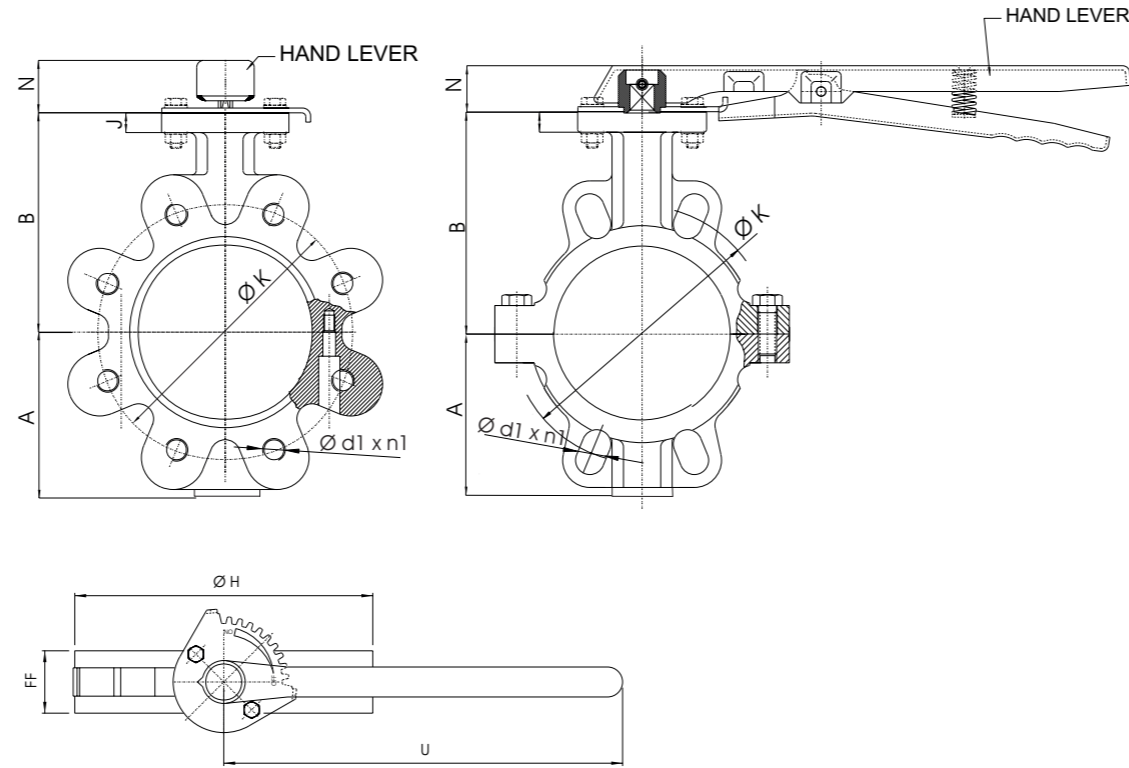


Type 1321 and type 1341 do have a 3 mm PTFE coated disc.

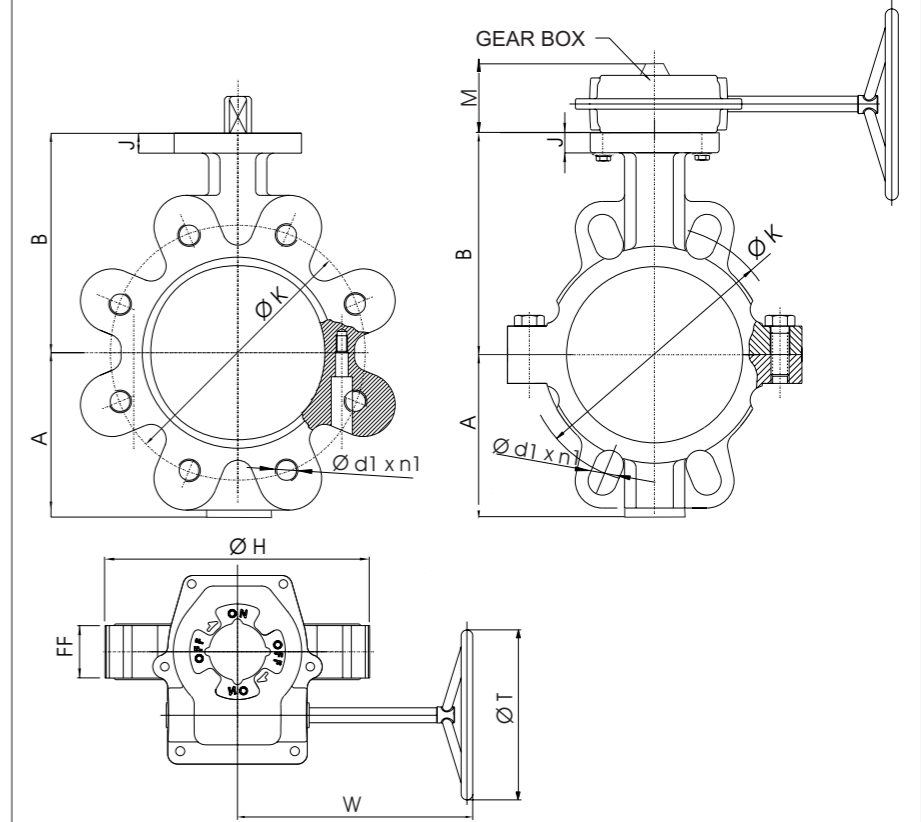
DN 50 - 300



DN 50 - 300



DN 50 - 300



DN	1320-1321		1340-1341		FF	Ø H	J	M	N	U	W	Ø T	F	Ø d5xn	SW	L	Ø d3	PN 10				PN 16				HAND LEVER		FREE SHAFT Weight (kg)		GEAR BOX			
	A	B	A	B														1340-1341	1320-1321	Ø K	Ø d	Ø d1	n1	Ø K	Ø d	Ø d1	n1	Type	Weight (kg)	1320-1321	1340-1341	PN 10 - 16	
																			Type	Weight (kg)	Type	Weight (kg)											
Ø 50	75	116	64	108	45	165	100	13	50	37	220	159	200	05	7x4	11	20	50	125	Ø 19	M 16	4	125	Ø 19	M 16	4	92-150	0.600	3.300	4.000	AST-20	2,900	
Ø 65	80	117	80	122	45	192	123	13	50	37	220	159	200	07	9x4	11	20	70	145	Ø 19	M 16	4	145	Ø 19	M 16	4	92-150		4.800	5.500	AST-20		
Ø 80	100	132	97	132	46	200	137	14	50	37	260	159	200	07	9x4	14	20	70	160	Ø 19	M 16	8	160	Ø 19	M 16	8	92-200	0.800	5.000	7.400	AST-20		
Ø 100	112	155	112	155	52	240	156	14	50	37	260	159	200	07	9x4	14	20	70	180	Ø 19	M 16	8	180	Ø 19	M 16	8	92-200		6.500	9.000	AST-20		
Ø 125	123	158	123	158	56	255	187	14	50	37	260	159	200	07	9x4	14	20	70	210	Ø 19	M 16	8	210	Ø 19	M 16	8	92-200		8.000	9.500	AST-20		
Ø 150	138	185	136	185	56	285	212	14	50	37	350	159	200	07	9x4	17	22	70	240	Ø 23	M 20	8	240	Ø 23	M 20	8	92-300	0.900	9.500	14.500	AST-20		
Ø 200	176	213	162	213	60	335	265	15	50	37	350	159	200	07	9x4	22	32	70	295	Ø 23	M 20	8	295	Ø 23	M 20	12	92-300		14.000	20.000	AST-20		
Ø 250	207	245	202	245	68	410	319	15	75	47	400	238	260	10	11x4	22	32	102	350	Ø 23	M 20	12	355	Ø 28	M 24	12	92-400	2.600	27.000	32.000	AST-30	8,220	
Ø 300	243	282	228	282	78	450	372	15	75	47	400	238	260	10	11x4	27	32	102	400	Ø 23	M 20	12	410	Ø 28	M 24	12	92-400		35.000	42.500	AST-30		