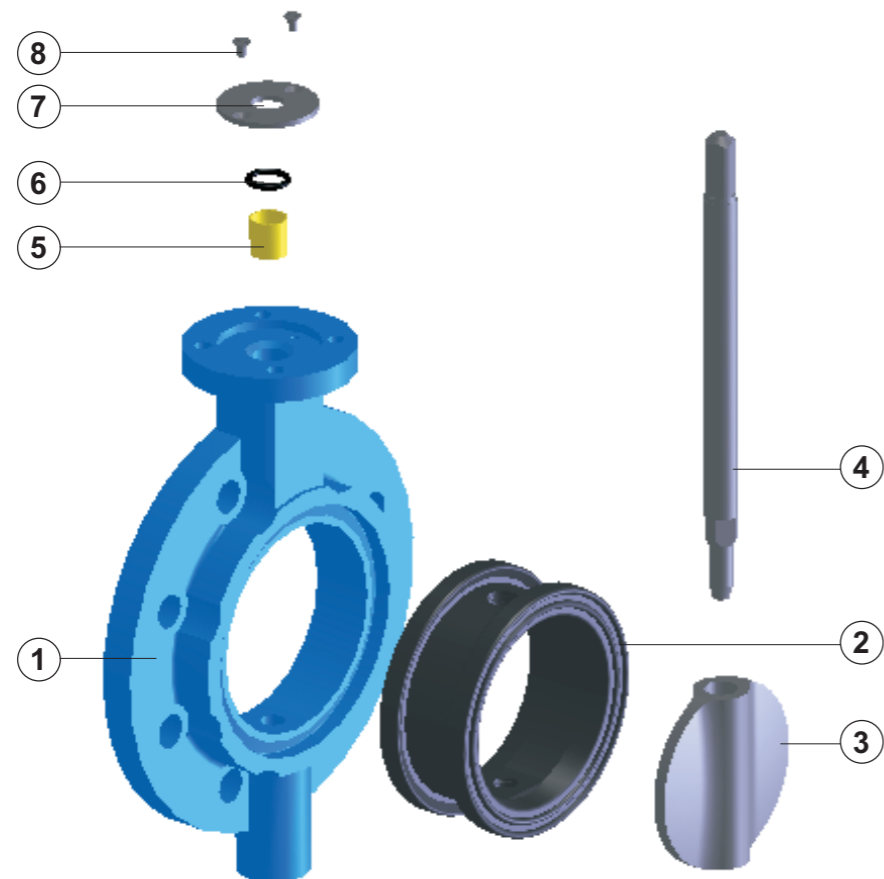


Type 1130

Mono flange type concentric butterfly valve

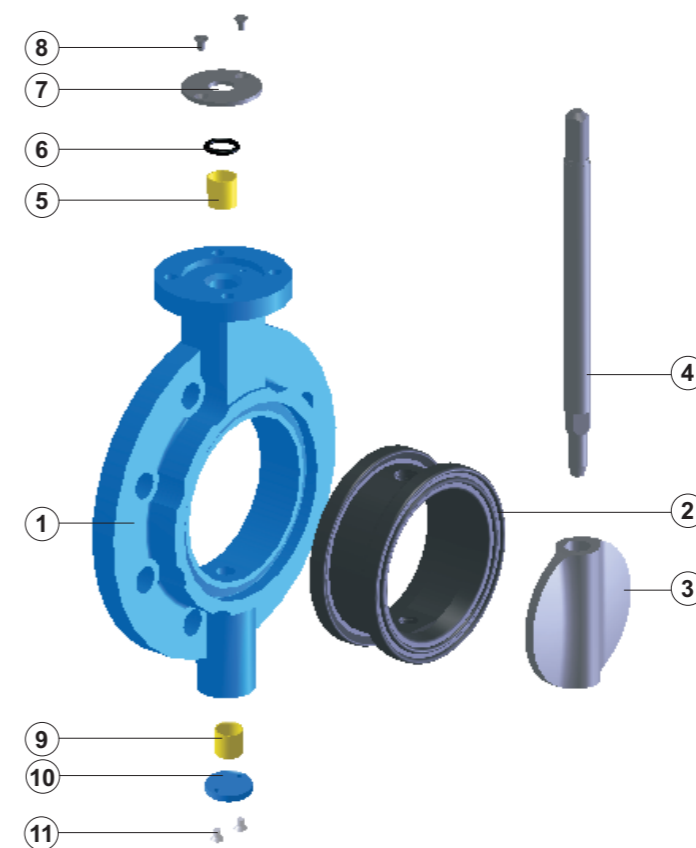
DN50 – DN200

P.NO	PART NAME	MATERIAL
1	Body	GG 25, GGG 40-50, GGG 40.3, Al-Bz AISI 316, GS-C25
2	Body seat	EPDM, NBR, Viton, Hypalon Neopren, NR, Silicone
3	Disc	AISI 316, Al-Bz, GGG 40-50, GS-C25, UB 6
4	Stem	AISI 304, AISI 316, AISI 420
5	Bearing	SB (Carbon Steel + PTFE)
6	O-Ring	NBR
7	Washer	St-37, AISI 304
8	Bolt	8.8, AISI 304

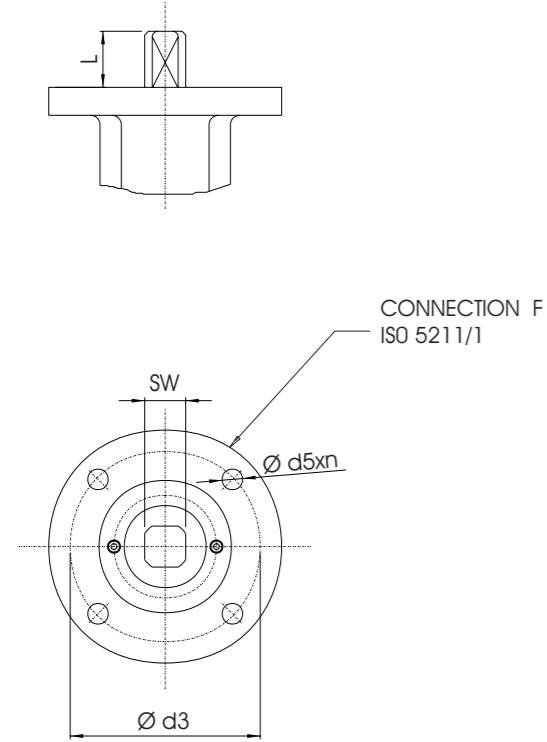


DN250 - DN300

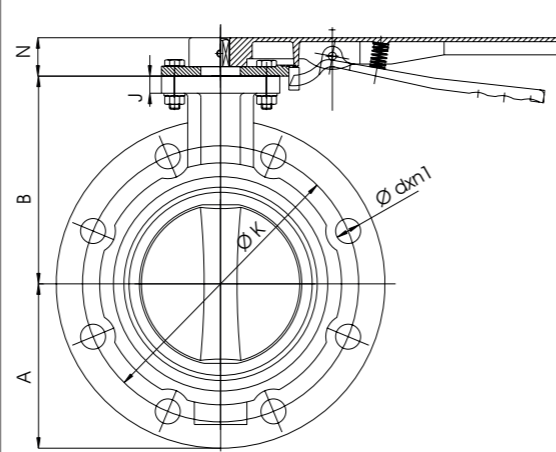
P.NO	PART NAME	MATERIAL
1	Body	GG 25, GGG 40-50, GGG 40.3, Al-Bz AISI 316, GS-C25
2	Body seat	EPDM, NBR, Viton, Hypalon Neopren, NR, Silicone
3	Disc	AISI 316, Al-Bz, GGG 40-50, GS-C25, UB 6
4	Stem	AISI 304, AISI 316, AISI 420
5	Bearing	SB (Carbon Steel + PTFE)
6	O-Ring	NBR
7	Washer	St-37, AISI 304
8	Bolt	8.8, AISI 304
9	Bearing	SB (Carbon Steel + PTFE)
10	Lower Cover	St-37
11	Bolt	8.8, AISI 304



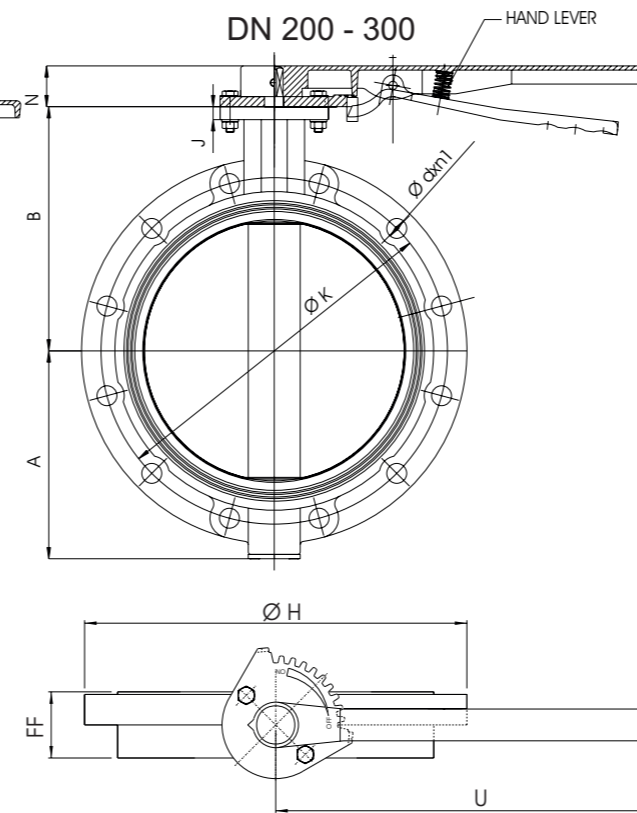
DN 50 - 300



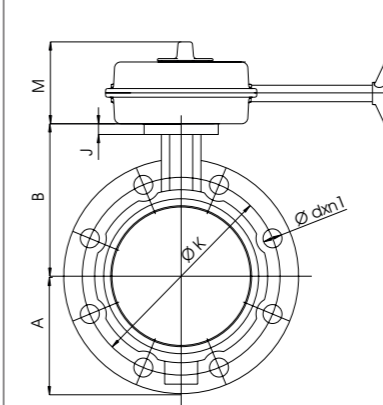
DN 50 - 150



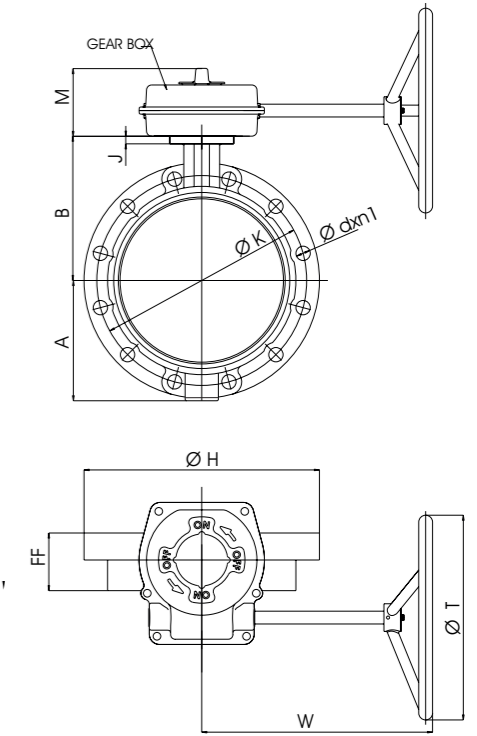
DN 200 - 300



DN 50 - 150



DN 200 - 300



DN	A	B	FF	Ø H	J	M	N	U	W	Ø T	F	Ø d5xn	SW	L	Ø d3	PN 10			PN 16			FREE SHAFT	HAND LEVER		GEAR BOX	
																Ø K	Ø d	n1	Ø K	Ø d	n1	Weight (kg)	Type	Weight (kg)	Type	Weight (kg)
Ø 50	82	108	43	165	13	50	37	220	159	200	07	9x4	9	20	70	125	Ø 18	4	125	Ø 18	4	4.5	92-150	0.600	AST-20	2,900
Ø 65	93	127	46	185	13	50	37	220	159	200	07	9x4	11	20	70	145	Ø 18	4	145	Ø 18	4	5.0	92-150		AST-20	
Ø 80	102	132	46	200	14	50	37	260	159	200	07	9x4	14	20	70	160	Ø 18	8	160	Ø 18	8	6.0	92-200	0.800	AST-20	
Ø 100	117	155	52	220	14	50	37	260	159	200	07	9x4	14	20	70	180	Ø 18	8	180	Ø 18	8	8.0	92-200		AST-20	
Ø 125	127	160	56	250	14	50	37	260	159	200	07	9x4	14	20	70	210	Ø 18	8	210	Ø 18	8	11.0	92-200		AST-20	
Ø 150	142	185	56	285	14	50	37	350	159	200	07	9x4	17	22	70	240	Ø 22	8	240	Ø 22	8	14.0	92-300	0.900	AST-20	
Ø 200	170	213	60	340	15	50	37	350	159	200	07	9x4	17	22	70	295	Ø 22	8	295	Ø 22	12	18.0	92-300		AST-20	
Ø 250	212	245	68	395	15	75	47	400	238	260	10	11x4	22	32	102	350	Ø 22	12	355	Ø 26	12	23.0	92-400	2.600	AST-30	8,220
Ø 300	240	282	78	445	15	75	47	400	238	260	10	11x4	27	32	102	400	Ø 22	12	410	Ø 26	12	35.0	92-400		AST-30	